



**AUTOMATIC SPRINKLERS
HIGH PRESSURE
MODEL GL SERIES
RECESSED PENDENT**

DESCRIPTION AND OPERATION

The Globe High Pressure Model GL Series Sprinkler is a low profile yet durable design which utilizes a frangible glass ampule as the thermosensitive element. While the sprinkler provides an aesthetically pleasing appearance, it offers greatly increased safety to life and the ability to be used in areas where flowing and static pressure do not exceed 300 psi. This sprinkler series is available in various orifices, temperature ratings and finishes to meet varying design requirements.

The heart of Globe's Model GL Series sprinkler proven actuating assembly is a hermetically sealed frangible glass ampule that contains a precisely measured amount of fluid. When heat is absorbed, the liquid within the bulb expands increasing the internal pressure. At the prescribed temperature the internal pressure within the ampule exceeds the strength of the glass causing the glass to shatter. This results in water discharge which is distributed in an approved pattern.



**RECESSED
PENDENT**

TECHNICAL DATA

- See reverse side for Approvals and Specifications.
- Temperature Ratings - 135°F (57°C), 155°F (68°C), 175°F (79°C), 200°F (93°C), 286°F (141°C).
- Water Working Pressure Rating - 300 psi (21 Bars).
- Factory tested hydrostatically to 850 psi (59 Bars).
- Maximum low temperature glass bulb rating is -67°F (-55°C).
- Frame - bronze • Deflector - brass • Screw - brass
- Bulb seat - copper • Spring - nickel alloy • Seal - teflon
- Bulb - glass with glycerin solution, 5mm size.
- Escutcheon Assembly - steel

• **SPRINKLER TEMPERATURE RATING/CLASSIFICATION and COLOR CODING**

CLASSIFICATION	AVAILABLE SPRINKLER TEMPERATURES		BULB COLOR	N.F.P.A. MAXIMUM CEILING TEMPERATURE	
ORDINARY	135°F/155°F	57°C/68°C	ORANGE/RED	100°F	38°C
INTERMEDIATE	175°F/200°F	79°C/93°C	YELLOW/GREEN	150°F	66°C
HIGH	286°F	141°C	BLUE	225°F	107°C



**AUTOMATIC SPRINKLERS
HIGH PRESSURE
MODEL GL SERIES
RECESSED PENDENT**

SPECIFICATIONS

ORIFICE SIZE		NOMINAL "K" FACTOR		THREAD SIZE	LENGTH	FINISHES
1/2"	(15 mm)	5.6	(80 metric)	1/2" NPT	2 1/4" (5.7 cm)	Factory Bronze Bright Chrome
17/32"	(20 mm)	7.8	(111 metric)	1/2" NPT	*2 1/4" (5.7 cm)	White Polyester+ Black Polyester+
17/32"	(20 mm)	8.1	(116 metric)	3/4" NPT	2 7/16" (6.2 cm)	**Lead Coated

NOTE: METRIC CONVERSIONS ARE APPROXIMATE.

*EXCLUDING PINTLE.

**FINISHES AVAILABLE ON SPECIAL ORDER.

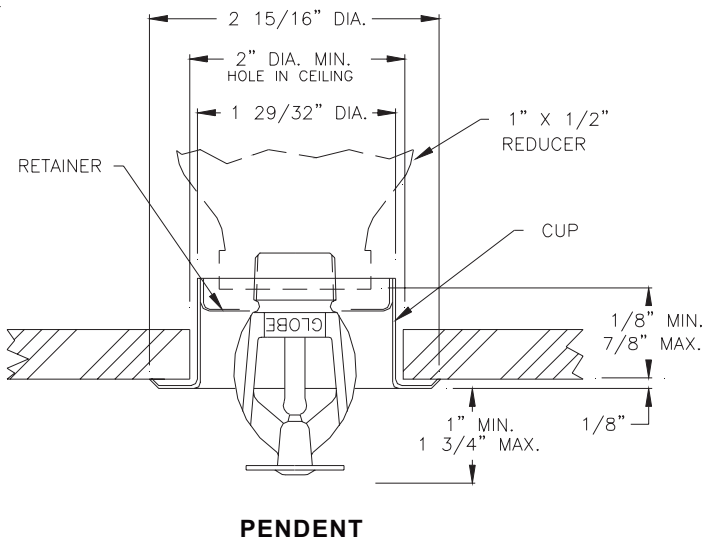
+AVAILABLE AS UL LISTED CORROSION RESISTANT WHEN SPECIFIED ON ORDER.

APPROVALS

STYLE	SIN MODEL	ORIFICE SIZE	135°F 57°C	155°F 68°C	175°F 79°C	200°F 93°C	286°F 141°C	cULus †
PENDENT RECESSED	GL5652	5.6	X	X	X	X	X	X
	GL8152	7.8*	X	X	X	X	X	X
	GL8157	8.1	X	X	X	X	X	X

† 1/2" ORIFICE AND 17/32" ORIFICE LISTED FOR ALL HAZARDS.
* 17/32" X 1/2" NPT.

CROSS SECTION



ORDERING INFORMATION

SPECIFY

- Quantity • Model Number • Style
- Orifice • Thread Sizes • Temperature
- Finishes desired
- Quantity - Recessed Wrenches - P/N 325391, Rev. F (1/2"); P/N 325401, Rev. D (L.O.)
- Quantity - Protective Caps - P/N 327109-CAP (Friction Fit Recessed)

GLOBE® PRODUCT WARRANTY

Globe agrees to repair or replace any of its own manufactured products found to be defective in material or workmanship for a period of one year from date of shipment.

For specific details of our warranty please refer to Price List Terms and Conditions of Sale (Our Price List).