



**QUICK RESPONSE
AUTOMATIC SPRINKLERS
MILLENNIUM™ GL5650
FLUSH PENDENT**

DESCRIPTION AND OPERATION

The Globe Millennium™ GL Series Quick Response Pendent Sprinkler is a low profile, aesthetically pleasing, flush mounted sprinkler that utilizes a 2.5mm frangible glass ampule as its thermosensitive element.

The combination of the 2.5mm frangible glass ampule and specially designed deflector make the Millennium™ Quick Response Sprinkler the ultimate in life safety and fire control. It has met the strict requirements of Underwriters Laboratories Inc. as described in the Standard for Automatic Sprinklers for Fire Protection Service, UL 199, and should be installed in accordance with National Fire Protection Association Standard NFPA 13, and under the direction of approving authorities having jurisdiction.

The heart of Globe's Millennium™ GL Series Sprinkler's actuating assembly is a hermetically sealed frangible glass ampule that contains a precisely measured amount of fluid. When heat is absorbed, the liquid within the bulb expands increasing the internal pressure. At the prescribed temperature, the internal pressure within the ampule exceeds the strength of the glass, causing the ampule to rupture. The levers that had been held in position by the bulb now collapse inward allowing the deflector and Teflon coated belleville washer seal to move downward to the full-operating position, and results in water discharged in a required and approved distribution pattern.



**QUICK RESPONSE
FLUSH PENDENT**



TECHNICAL DATA

- See reverse side for Approvals and Specifications.
- Temperature Rating - 135°F (57°C), 155°F (68°C), 175°F (79°C), 200°F (93°C).
- Water Working Pressure Rating - 175 psi (12 Bars).
- Factory tested hydrostatically to 500 psi (34 Bars).
- Maximum low temperature glass bulb rating is -67°F (-55°C).
- Body - bronze • Deflector - bronze • Splitter - brass
- Belleville Spring - beryllium nickel • Teflon gasket - teflon
- Drop pin - Bronze • Lever arm - bronze • Load bar - bronze
- Ceiling cover - brass • Load screw - stainless steel
- Bulb - glass with alcohol based solution, 2.5mm size.
- Escutcheon - steel • Escutcheon ring - brass
- Dust cover - nylon • Pin cover - nylon

• SPRINKLER TEMPERATURE RATING/CLASSIFICATION and COLOR CODING

CLASSIFICATION	AVAILABLE SPRINKLER TEMPERATURES		BULB COLOR	N.F.P.A. MAXIMUM CEILING TEMPERATURE	
ORDINARY	135°F/155°F	57°C/68°C	ORANGE/RED	100°F	38°C
INTERMEDIATE	175°F/200°F	79°C/93°C	YELLOW/GREEN	150°F	66°C



**QUICK RESPONSE
AUTOMATIC SPRINKLERS
MILLENNIUM™ GL5650
FLUSH PENDENT**

SPECIFICATIONS

NOMINAL "K" FACTOR		THREAD SIZE	LENGTH	FINISHES
5.6	(80 metric)	1/2" NPT	2 1/2" (6.4 cm)	Bright Chrome White Polyester Black Polyester*

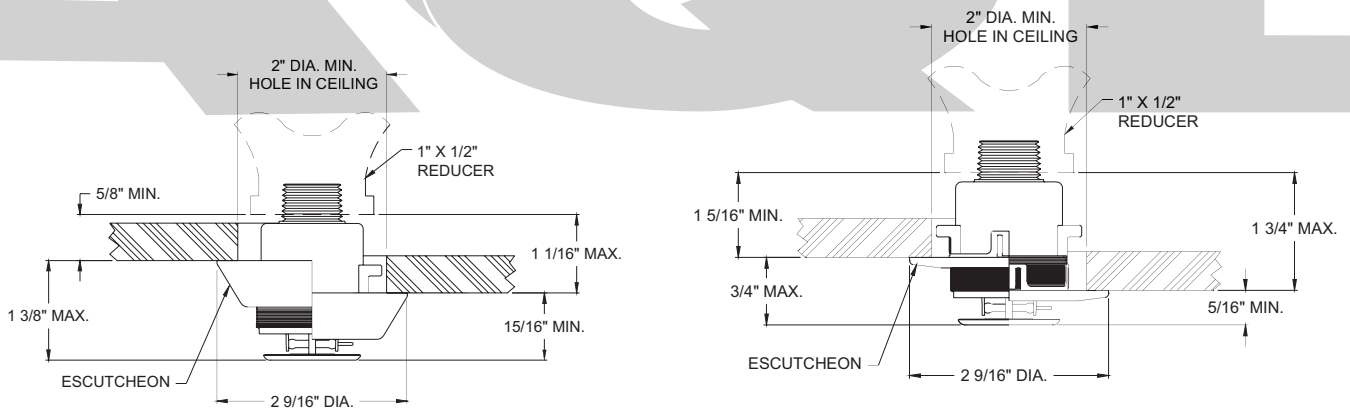
NOTE: METRIC CONVERSIONS ARE APPROXIMATE.

* FINISHES AVAILABLE ON SPECIAL ORDER.

APPROVALS

STYLE	SIN MODEL	K FACTOR	135°F 57°C	155°F 68°C	175°F 79°C	200°F 93°C	cULus	NYC - DOB MEA 101-92-E
FLUSH PENDENT	GL5650	5.6	X	X	X	X	X	X

CROSS SECTIONS



FLUSHPENDENT

ORDERING INFORMATION
SPECIFY

- Quantity • Model Number • Style
- Orifice • Thread Sizes • Temperature
- Finishes desired
- Quantity - Millennium Wrenches - P/N 332334

GLOBE® PRODUCT WARRANTY

Globe agrees to repair or replace any of its own manufactured products found to be defective in material or workmanship for a period of one year from date of shipment.

For specific details of our warranty please refer to Price List Terms and Conditions of Sale (Our Price List).