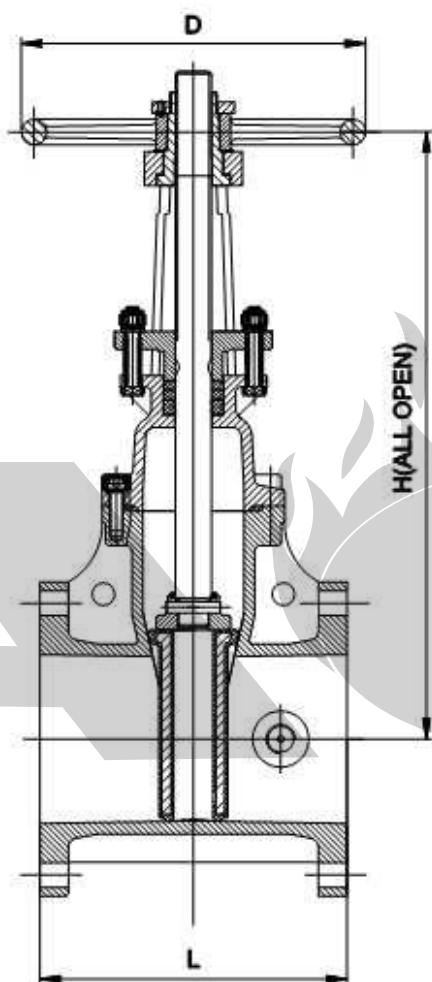


Gate Valve

Resilient Seated - 300 PSI -OS&Y Type - Flanged Ends

Fig. 399F



Valve Standard

Conforms to AWWA C 515 / BS 5163

Working pressure

21 Bar / 300 PSI

Fusion Bonded Epoxy Coated Interior and Exterior

Flanged Ends

ANSI B 16.1 Class 125 / 250, EN 1092-2

PN 10 / PN 16 / BS 10 Table E, JIS 10K, 16K

Stainless Steel Stem

Materials List

Part Name	Material	ASTM Specification
Body	Ductile Iron	A 536 65-45-12
Wedge	Ductile Iron EPDM Coated	
Wedge Nut	Stainless Steel	AISI304
Stem	Stainless Steel	AISI420
Bonnet	Ductile Iron	A 536 65-45-12
Gasket	EPDM	Commercial
Packing	Graphite	Non-asbestos
Stem Nut	Bronze	
Handwheel	Ductile Iron	A 536 65-45-12

Dimensions (mm /in) :

SIZE	mm	65	80	100	125	150	200	250	300
	inch	2 1/2	3	4	5	6	8	10	12
H	mm	418	488	538	654	740	935	1126	1316
	inch	16 1/2	19 1/4	21 1/8	25 3/4	29 1/8	36 7/8	44 3/8	51 7/8
D	mm	183	253	253	306	306	355	445	445
	inch	7 1/4	10	10	12	12	14	17 1/2	17 1/2
L	mm	191	203	229	254	267	292	330	356
	inch	7 1/2	8	9	10	10 1/2	11 1/2	13	14