



Revision Date: December,2013

U bolt sprinkler tee (BSPT)
GSTFull Casting sprinkler tee (BSPT)
GSTFC

Sprinkler Outlet

Sprinkler outlet is designed for direct connection of sprinkler heads.
Working pressure: 300PSI/2.5MPA

MATERIAL SPECIFICATIONS

- **Housing:**

Ductile iron conform to ASTM A536

- **Coating:**

Dacromet

Red paint(RAL 3000)

- **Rubber gasket:**

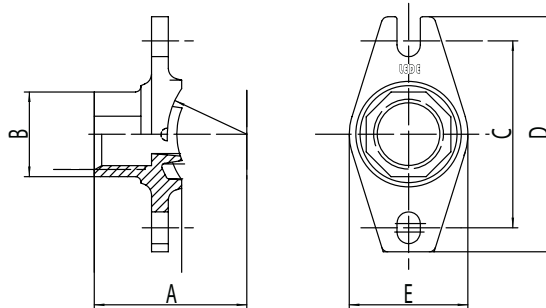
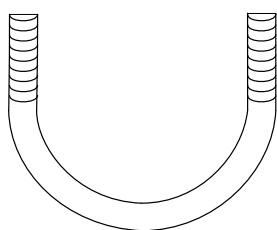
EPDM gaskets dispose of the international certifications and have undergone the aging test at 110°C(230° F) during a period of 45 days(1080 hours).Moreover, the gaskets have undergone the frozen test at -40°C(-40° F) during a period of 4 days (96 hours).

Working temperature gaskets: -34°C – 110°C (-29F° - 230F°)

- **Bolts & Nuts:**

Medium Carbon Steel

Dimensions



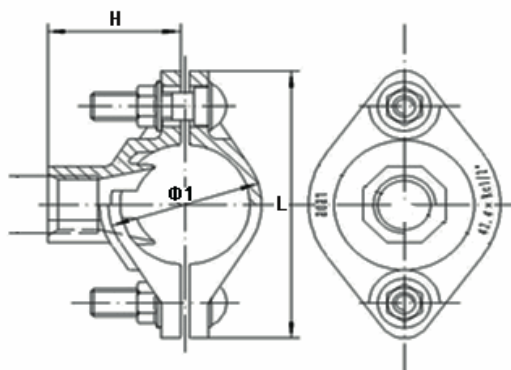
U bolt sprinkler tee (BSPT)
GST

Reference		Size Inch	O.D. mm	Nominal DN mm	Nominal dimensions					Hole Cut mm	Bolt Size Dia. XLg. (AXB)	Nuts mm	Socket wrench mm	Bolt Torque N*M	Weight Kg
Red	Dacromet				A mm	B mm	C mm	D mm	E mm						
GSTR	GSTG	1"x½"	33.7x21.3	25x15	30	29	60	74	44	25+1	M8*44	16.9	13	65-70	0.33
GSTR	GSTG	1¼"x½"	42.4x21.3	32x15	50	28	76	89	56	30+1	M10*78	21.8	15	75-80	0.47
GSTR	GSTG	1¼"x¾"	42.4x26.9	32x20	53	33	76	89	56	30+1	M10*78	21.8	15	75-80	0.46
GSTR	GSTG	1¼"x1"	42.4x33.7	32x25	58	40	76	89	56	30+1	M10*78	21.8	15	75-80	0.48
GSTR	GSTG	1½"x½"	48.3x21.3	40x15	49	28	76	89	56	30+1	M10*78	21.8	15	75-80	0.39
GSTR	GSTG	1½"x¾"	48.3x26.9	40x20	52	33	76	89	56	30+1	M10*78	21.8	15	75-80	0.38
GSTR	GSTG	1½"x1"	48.3x33.7	40x25	55	40	76	89	56	30+1	M10*78	21.8	15	75-80	0.41
GSTR	GSTG	2"x½"	60.3x21.3	50x15	58	28	78	98	56	30+1	M10*92	21.8	15	75-80	0.45
GSTR	GSTG	2"x¾"	60.3x26.9	50x20	61	33	78	98	56	30+1	M10*92	21.8	15	75-80	0.45
GSTR	GSTG	2"x1"	60.3x33.7	50x25	66	40	78	98	56	30+1	M10*92	21.8	15	75-80	0.47

General notes:

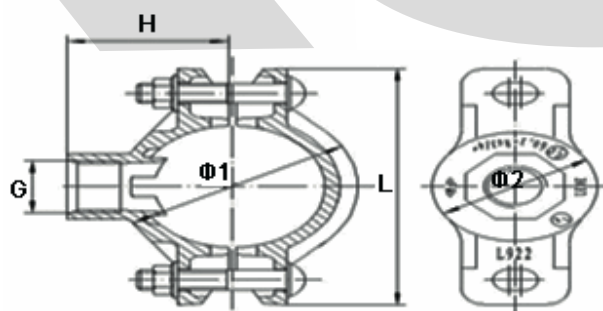
- Pressure ratings listed are CWP(cold water pressure) or maximum working pressure within the service temperature range of the gasket used in the coupling. This rating may occasionally differ from maximum working pressure listed and/or approved by UL and/or FM as test working pressure listed and/or approved by UL and/or FM as testing conditions and test pipes differ.
- Maximum working pressures and end loads listed are total of internal and external pressures and loads based on standard weight (ANSI) steel pipe, standard roll or cut grooved accordance with LEDE specifications.
- For one time field test only the maximum joint working pressure may be increased 1-1/2 times the figure shown.
- Warning: piping systems must always be depressurized and drained before attempting disassembly and/or removal of any components.
- LEDE reserves the right to change specifications, designs and/or standard equipment without notice and without incurring any obligations.

Dimensions



Full Casting sprinkler tee (BSPT)
GSTFC

Reference		Size Inch	O.D. mm	Nominal DN mm	Nominal dimensions			Hole Cut mm	Bolt Size Dia.XLg. (AXB)	Nuts mm	Socket wrench mm	Bolt Torque N*M	Weight Kg
Red	Dacromet				L mm	H mm	Φ1 mm						
GSTFCR	GSTFCG	1 1/4"x1/2"	42.4x21.3	32x15	98	45	52	30+1	M10x40	21.8	15	75-80	0.38
GSTFCR	GSTFCG	1 1/4"x3/4"	42.4x26.9	32x20	98	45	52	30+1	M10x40	21.8	15	75-80	0.40
GSTFCR	GSTFCG	1 1/4"x1"	42.4x33.7	32x25	98	54	52	30+1	M10x40	21.8	15	75-80	0.48
GSTFCR	GSTFCG	1 1/2"x1/2"	48.3x21.3	40x15	105.6	48	57.5	30+1	M10x40	21.8	15	75-80	0.41
GSTFCR	GSTFCG	1 1/2"x3/4"	48.3x26.9	40x20	105.6	48	57.5	30+1	M10x40	21.8	15	75-80	0.43
GSTFCR	GSTFCG	1 1/2"x1"	48.3x33.7	40x25	105.6	57	57.5	30+1	M10x40	21.8	15	75-80	0.48



Full Casting sprinkler tee (BSPT)
GSTFC

Reference		Size Inch	O.D. mm	Nominal DN mm	Nominal dimensions					Hole Cut mm	Bolt Size Dia.XLg. (AXB)	Nuts mm	Socket wrench mm	Bolt Torque N*M	Weight Kg
Red	Dacromet				L mm	H mm	G mm	Φ1 mm	Φ2 mm						
GSTFCR	GSTFCG	2 1/2"x1/2"	76.1x21.3	65x15	139	61	1/2"	93	56	30+1	M10x60	21.8	15	75-80	0.74
GSTFCR	GSTFCG	2 1/2"x3/4"	76.1x26.9	65x20	139	62	3/4"	93	56	30+1	M10x60	21.8	15	75-80	0.75
GSTFCR	GSTFCG	2 1/2"x1"	76.1x33.7	65x25	139	60	1"	99	65	38+1	M10x60	21.8	15	75-80	0.87

General notes:

- Pressure ratings listed are CWP(cold water pressure) or maximum working pressure within the service temperature range of the gasket used in the coupling. This rating may occasionally differ from maximum working pressure listed and/or approved by UL and/or FM as test working pressure listed and/or approved by UL and/or FM as testing conditions and test pipes differ.
- Maximum working pressures and end loads listed are total of internal and external pressures and loads based on standard weight (ANSI) steel pipe, standard roll or cut grooved accordance with LEDE specifications.
- For one time field test only the maximum joint working pressure may be increased 1-1/2 times the figure shown.
- Warning: piping systems must always be depressurized and drained before attempting disassembly and/or removal of any components.
- LEDE reserves the right to change specifications, designs and/or standard equipment without notice and without incurring any obligations.