

FD8030 SMOKE DETECTOR

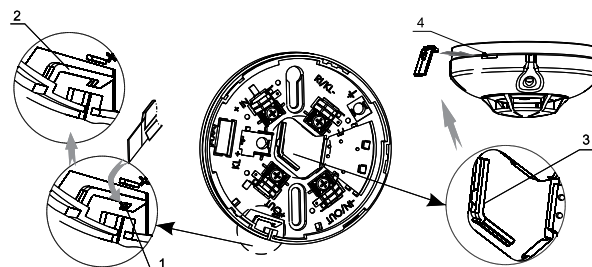
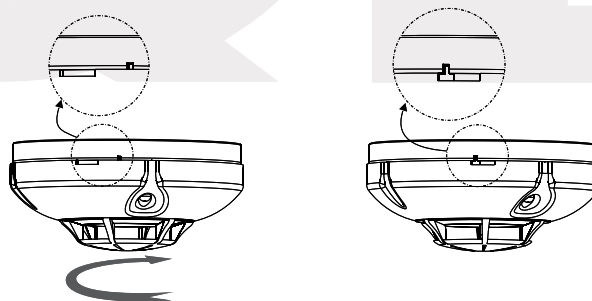
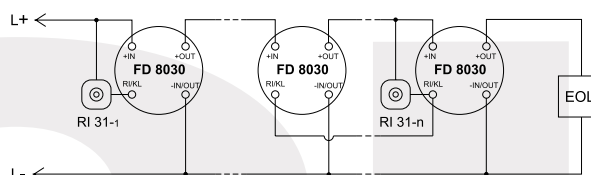
PRODUCT DESCRIPTION

The fire detector provides reliable early warning of a Fire condition responding to fixed threshold smoke concentration detected in the protected premises.

The smoke sensitivity is factory preset in accordance with European Standard EN54-7.

The fire detector is controlled by a microprocessor. FD8030 operates with an improved algorithm for self-compensation of the optic chamber contamination, signaling the necessity for dusting the chamber. It is done quickly due to the easy dismantling and assembling of the body cover.

The construction of the optic chamber and the new technology used in the manufacturing of the screen provides high level protection against entering dust particles and insect and working under strong air flow.



TECHNICAL DATA

Supply voltage: (10-30)VDC

Duty mode current: 120 μ A

Fire condition current

– with base type 8000 or 8000D: (8-25) mA

– with base type 8000R, 8000DR: (18-55) mA

Terminals: For wires with cross section (0.8-2.5) mm²

Degree of protection: IP 43

Operation temperature: Minus 10oC to 55oC

Relative humidity: (93 \pm 3) % at 40oC

Sensitivity: In accordance with EN54-7

Mounting: Using bases of series 8000

Dimensions (base included): \varnothing 100, h 47 mm

Casing material: ABS plastics, white

Weight (base included): 0.100 kg

Protected area: Circle with diameter 15m, h 11m