

TEST AND DRAIN VALVE - A61 SERIES



DESCRIPTION

A61 Giacomini Test and Drain valve for sprinkler systems combines the functions of test and drain for wet sprinkler systems.

A61 valves have forged brass body with chrome plated brass ball valve and PTFE seats. The valves comply with the requirements of NFPA-13, NFPA-13R and NFPA-13D. The A61 valves are single handle ball valves with three working positions. They include tamper resistant test orifice and sight glass for the visual control.

TECHNICAL DATA

Rated pressure: 300 psi.

Materials:

Forged brass body.
Chrome plated ball.
Steel handle.
Valve seat in PTFE.
Indication disk in brass.
Sight glasses in polycarbonate.

Approvals:

FM and UL. * 1 1/2" size UL listed only.

PRODUCT SPECIFICATIONS

Test and drain valve for sprinkler systems combines the functions of test and drain for wet sprinkler systems. complies with the requirements of NFPA-13, NFPA-13R and NFPA-13D and is FM approved and UL listed.

Main feature as following:

- Rp, EN 10226 threads 1" - 1 1/4" - 1 1/2" - 2".
- NPT threads 1" - 1 1/4" - 1 1/2" - 2".
- Groove connections 1 1/4" - 2".
- Forged brass body.
- Chrome plated brass ball.
- PTFE seats.
- Single handle ball valves with three working positions.
- Tamper resistant test orifice and sight glass included.

REF: VRTA_022022_REVO

AQL PROTECCION

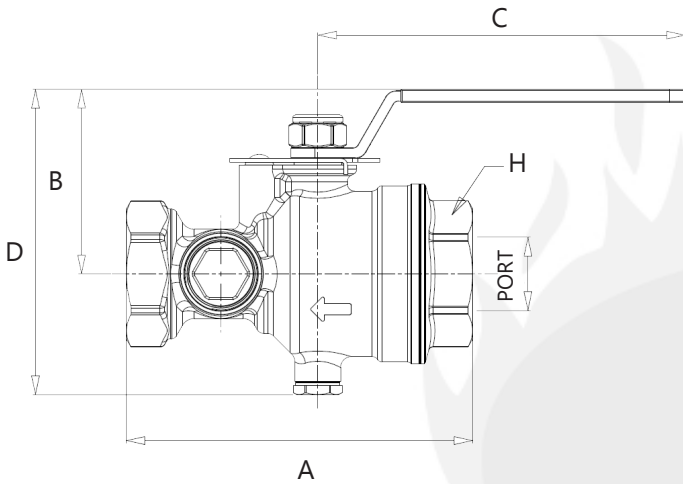
Carretera N-340 Km 1245, 3 Nave B-5 Polígono industrial El Pla 08750 Molins de Rei, Barcelona (España)
Tel. (+34) 936800376 * WhatsApp pedidos: 660781482 * www.aqlproteccion.com * aql@aqlproteccion.com

ANBER

Avda. de las Flores, 13-15 P.E. El Molino 28970 Humanes de Madrid, Madrid (España)
Tel. (+34) 916063711 * WhatsApp pedidos: 649787619 * www.anber.es * anber@anber.es

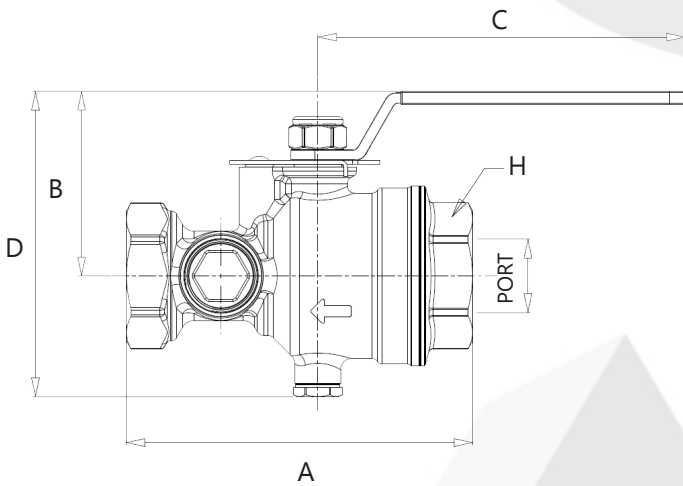
DIMENSIONS

A61 - Female Rp x Female Rp



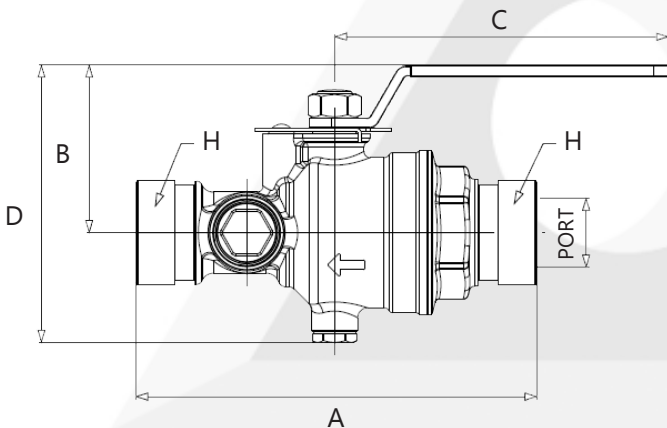
Size	C (")	PORT	A	B	C	D	H
1"	1/4"	1 1/16"	5 1/18"	2 43/64"	5 11/32"	4 27/64"	1 57/64"
1 1/4"	1/4"	1 1/16"	5 7/16"	2 43/64"	5 11/32"	4 27/64"	1 57/64"
1 1/2"	1/4"	1 18/32"	6 3/16"	4"	6 26/32"	6 21/64"	2 40/64"
2"	1/4"	1 12/16"	6 21/32"	4"	6 26/32"	6 21/64"	2 40/64"

A61 - Female NPT x Female NPT



Size	C (")	PORT	A	B	C	D	H
1"	1/4"	1 1/16"	5 1/32"	2 43/64"	5 11/32"	4 27/64"	1 57/64"
1 1/4"	1/4"	1 1/16"	5 1/32"	2 43/64"	5 11/32"	4 27/64"	1 57/64"
1 1/2"	1/4"	1 18/32"	6 6/32"	4"	6 26/32"	6 21/64"	2 40/64"
2"	1/4"	1 12/16"	6 6/32"	4"	6 26/32"	6 21/64"	2 40/64"

A61 - Groove x Groove



Size	C (")	PORT	A	B	C	D	H
1 1/4"	1/4"	1 1/16"	6 13/32"	2 43/64"	5 11/32"	4 27/64"	1 1/4" GROOVE
2"	1/4"	1 12/16"	7 17/32"	4"	6 26/32"	6 21/64"	2" GROOVE

REF: VRTA_022022_REV0

AQL PROTECCION

Carretera N-340 Km 1245, 3 Nave B-5 Poligono industrial El Pla 08750 Molins de Rei, Barcelona (España)
Tel. (+34) 936800376 * WhatsApp pedidos: 660781482 * www.aqlproteccion.com * aql@aqlproteccion.com

ANBER

Avda. de las Flores, 13-15 P.E. El Molino 28970 Humanes de Madrid, Madrid (España)
Tel. (+34) 916063711 * WhatsApp pedidos: 649787619 * www.anber.es * anber@anber.es

VERSIONS AND PRODUCT CODES

Series	Size	Type
A61	1"	Rp, EN 10226 (F) x Rp, EN 10226 (F)
	1 1/4"	
	1 1/2"	
	2"	
	1"	NPT (F) x NPT (F)
	1 1/4"	
	1 1/2"	
	2"	
	1 1/4"	Groove x Groove
	2"	

Orifice codes		
Valves size	Size	K factor
1"	3/8"	2,8
	7/16"	4,2
	1/2"	5,6
	17/32"	8,0
1 1/4"	3/8"	2,8
	7/16"	4,2
	1/2"	5,6
	17/32"	8,0
	5/8"	11,2
	3/4"	14,0
1 1/2" 2"	7/16"	4,2
	1/2"	5,6
	17/32"	8,0
	5/8"	11,2
	3/4"	14,0
	15/16"	16,8
	15/64"	22,4
	19/64"	25,2

This document provides only general guidelines. The data may be modified at any time, without prior notice and for technical or commercial reasons. The information included in this technical sheet does not exempt the user from strict compliance with current regulations and standards of good practice.

REF: VRTA_022022_REVO

AQL PROTECCION

Carretera N-340 Km 1245, 3 Nave B-5 Polígono industrial El Pla 08750 Molins de Rei, Barcelona (España)
Tel. (+34) 936800376 * WhatsApp pedidos: 660781482 * www.aqlproteccion.com * aql@aqlproteccion.com

ANBER

Avda. de las Flores, 13-15 P.E. El Molino 28970 Humanes de Madrid, Madrid (España)
Tel. (+34) 916063711 * WhatsApp pedidos: 649787619 * www.anber.es * anber@anber.es