

SPRINKLER MODEL G5

Standard Spray, Flat Concealed Pendent Available with Gasketed Cover Plate



Model G5 Cover Plate



Model G5 QR Gasket Cover Plate
(Material Silicone Rubber available in white only)



Model G5 SR Gasket Cover Plate

Model G5 Series Sprinkler Cover Plates

PRODUCT DESCRIPTION

Model G5 series sprinklers are standard coverage, flat plate concealed sprinklers designed for installation in accordance with NFPA 13 and FM Global Property Loss Prevention Data Sheets. All model G5 series sprinklers use a fusible-link operating element.

The sprinklers are offered with a standard Model G5 cover plate, a Model G5 cover plate with a Quickresponse (QR) gasket, or a Model G5 cover plate with a Standard-response (SR) gasket. Model G5 sprinklers with a gasketed cover plate are intended for use in dust free environments such as clean rooms.

Model G5 sprinklers must only be used with the Model G5 cover plate listed or approved with the sprinkler. All Model G5 series sprinklers use a fusible link operating element. f A provides a summary of available Model G5 series sprinklers, along with Listing and Approval information for each sprinkler and cover plate combination.

FEATURES

- Standard Coverage, Concealed Pendent (5,6 [80 metric]).
- Flat concealed cover plate available in a variety of finishes.
- Available with Stainless Steel Clad cover plate (see Table C).
- 19 mm cover plate adjustment.
- Cover plate available with optional gasket.

REF: SRC_122024_REV1

AQL PROTECCION

Carretera N-340 Km 1245, 3 Nave B-5 Polígono industrial El Pla 08750 Molins de Rei, Barcelona (España)
Tel. (+34) 936800376 * WhatsApp pedidos: 660781482 * www.aqlproteccion.com * aql@aqlproteccion.com

ANBER

Avda. de las Flores, 13-15 P.E. El Molino 28970 Humanes de Madrid, Madrid (España)
Tel. (+34) 916063711 * WhatsApp pedidos: 649787619 * www.anber.es * anber@anber.es

TABLE A: Model G5 Series Sprinkler Summary

Sprinkler Model	K-Factor gpm/psi ^{1/2} (L/min/bar ^{1/2})	Cover Plate Model	Listings and Approvals	Sensitivity	Max. Working Pressure psi (bar)	Sprinkler Identification Number (SIN)
G5-56	5,6 (80)	G5	ULcus	QR	250 (17)	RA3415
			FM, LPCB, VdS, CE, UKCA	SR	175 (12)	
		G5 QR Gasket	ULcus	QR	250 (17)	
		G5 SR Gasket	ULcus	SR	250 (17)	
			FM	SR	175 (12)	

TABLE B: Installation Dimensions and Cover Plate Information

Cover Plate Model	Cover Plate Diameter	Recommended Hole Diameter in Ceiling	Cover Plate Adjustment	Min. to Max. Face of Fitting to Ceiling ⁽¹⁾	Min. to Max. Dropped Deflector Distance below	Cover Plate Temperature Rating
G5	84 mm	67 mm	19 mm	38 mm to 57 mm	6 mm to 25 mm	57°C ⁽³⁾ or 74°C ⁽⁴⁾
G5 QR Gasket ⁽²⁾	94 mm					
G5 SR Gasket ⁽²⁾	101 mm					

- Notes:**
- (1). Face of fitting to ceiling dimensions are based on nominal thread make up. Verify dimensions based on fitting and thread sealing method prior to installation. A 1/2" x 1/2" brass nipple extension (Reliable P/N 6999991900) is available to assist with replacement of Reliable Model G4A sprinklers.
 - (2). Model G5 QR Gasket and Model G5 SR Gasket cover plates are sold as assembled units including both the cover plate and gasket. Model G5 QR Gasket and Model G5 SR Gasket cover plates and gaskets are not interchangeable.
 - (3). For use with 165°F (74°C) temperature rated sprinklers where the Maximum Ceiling Temperature does not exceed 38°C.
 - (4). For use with 212°F (100°C) temperature rated sprinklers where the Maximum Ceiling Temperature does not exceed 66°C.

TABLE C: Cover Plate Finishes⁽¹⁾⁽²⁾

Standard Finishes	Special Application Finishes
White Paint	Off-White Paint
Chrome ⁽⁴⁾	Black Paint
	Custom Color Paint (Specify) ⁽³⁾
	Raw Brass (Lacquered)
	Bright Brass ⁽⁴⁾
	Finished Bronze ⁽⁴⁾
	Satin Chrome ⁽⁴⁾
	Stainless Steel Clad ⁽⁵⁾
	Custom Printed

- Notes:**
- 1. Paint or any other coating applied over the factory finish will void all approvals and warranties.
 - 2. Cover plates do not carry corrosion resistant listings or approvals.
 - 3. Custom color paint is semi-gloss unless specified otherwise.
 - 4. Not listed for use with QR sealing gasket.
 - 5. Stainless steel clad cover plates are Type 316 Stainless Steel on the finished side and C102 Copper Alloy on the back side.

REF: SRC_122024_REV1

AQL PROTECCION

Carretera N-340 Km 1245, 3 Nave B-5 Polígono industrial El Pla 08750 Molins de Rei, Barcelona (España)
Tel. (+34) 936800376 * WhatsApp pedidos: 660781482 * www.aqlproteccion.com * aql@aqlproteccion.com

ANBER

Avda. de las Flores, 13-15 P.E. El Molino 28970 Humanes de Madrid, Madrid (España)
Tel. (+34) 916063711 * WhatsApp pedidos: 649787619 * www.anber.es * anber@anber.es



- **Technical Specifications:**
Style: Flat Concealed Pendent.
Threads: 1/2" NPT or ISO 7-1 R1/2.
Nominal K-Factor: 5.6 (80 metric).
Max. Working Pressure:
 175 psi (12 bar).
 250 psi (17 bar) (ULcus only).
- **Material Specifications:**
Fusible Link: Beryllium Nickel.
Sprinkler Body: Brass Alloy.
Levers: Bronze Alloy.
Yoke: Brass Alloy.
Sealing washer: Nickel with PTFE.
Load Screw: Bronze Alloy.
Towers: Copper Alloy.
Pins: Stainless Steel.
Deflector: Bronze Alloy.
Cup: Steel.
- **Temperature Ratings Ratings:**
 74°C Sprinkler (57°C cover) Ordinary.
 100°C Sprinkler (74°C cover) Intermediate.
- **Listings and Approvals:**
 ULcus Listed (Light & Ordinary Hazard only).
 FM Approved.
 LPCB Approved.
 VdS Approved [165°F (74°C) only].
 CE Listed (2831-CPR-S2062).
 UKCA: 0832-UKCA-CPR-S5045.
- **Cover Plates:**
 Model G5.
 Model G5 QR Gasket (ULcus only).
 Model G5 SR Gasket (ULcus and FM only).
- **Sprinkler Wrench:**
 Model W3.
- **Cover Plate Finishes:**
 (See Table C).
- **Sensitivity:**
 (See Table D).

Fig. 3 - Model G5-56 Sprinkler Components and Dimensions

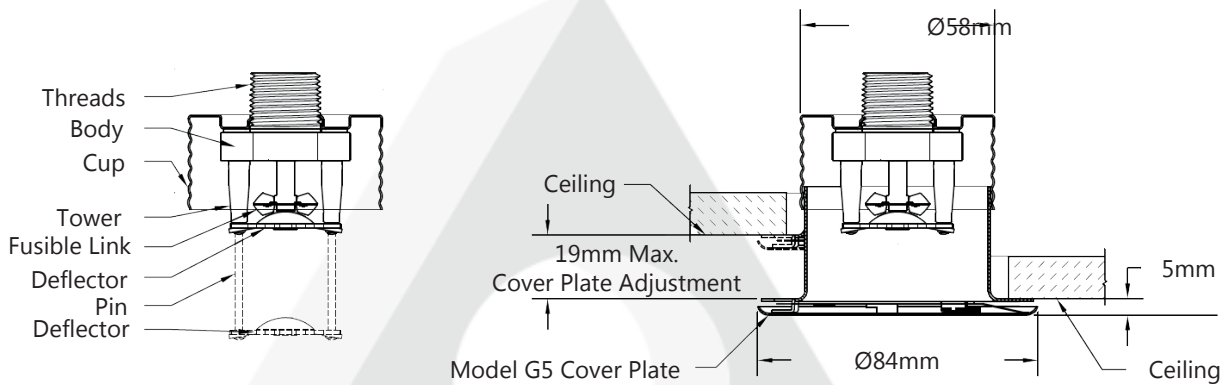


TABLE D: Model G5-56 Sensitivity

Cover Plate Model	Listing or Approval Agency		
	ULcus	FM	LPCB, VdS, CE, UKCA
G5	QR	SR	SR
G5 QR Gasket	QR	--	-
G5 SR Gasket	SR	SR	-

Notes: QR: Quick-response. SR: Standard-response.

REF: SRC_122024_REV1

Model G5 series sprinklers are standard coverage, flat plate concealed pendent sprinklers. The sprinklers are intended for use in accordance with NFPA 13 and FM Global Property Loss Prevention Data Sheets, as well as the requirements of the applicable approval agencies.

Model G5 series sprinklers are available as either Quickresponse (QR) or Standard-response (SR) depending on the approval agency and cover plate selected.

Model G5 series sprinklers use Model G5 flat cover plates. Model G5 QR Gasket and G5 SR Gasket cover plates are available to limit air and dust movement through the ceiling.

LISTING & APPROVAL AGENCIES

Individual Model G5 series sprinkler may be listed or approved by the following agencies:

- Underwriters Laboratories, Inc. and UL Canada (ULCus).
Listing Category: Sprinklers, Automatic and Open.
Guide Number: VNIV.
- FM Approvals (FM).
- Loss Prevention Certification Board (LPCB).
- VdS Schadenverhütung GmbH (VdS).
- EC-Certificate of Conformity 0832-CPD-2062 (CE).

See Table A and the individual sprinkler data sheets in this Bulletin for listings and approvals applicable to each sprinkler.

INSTALLATION

Model G5 series sprinklers are intended to be installed in accordance with NFPA 13, FM Global Property Loss Prevention Data Sheets, and the requirements of applicable authorities having jurisdiction. Model G5 series sprinklers must not be installed in ceilings with positive pressure in the space above. Ensure that the 4 slots in the cup are open and unobstructed following installation.

Model G5 series sprinklers are shipped with a wrench-able protective cap that should remain on the sprinkler until the sprinkler system is placed in service following construction.

Model G5 series sprinklers can be installed without removing the wrench-able protective cap using the Model W3 wrench. Alternatively, Model G5 series sprinklers can be installed using the Model FC wrench by temporarily removing the protective cap during installation of the sprinkler. The use of any other wrench to installed Model G5 series sprinklers is not permitted and may damage the sprinkler.

REF: SRC_122024_REV1

AQL PROTECCION

Carretera N-340 Km 1245, 3 Nave B-5 Polígono industrial El Pla 08750 Molins de Rei, Barcelona (España)
Tel. (+34) 936800376 * WhatsApp pedidos: 660781482 * www.aqlproteccion.com * aql@aqlproteccion.com

ANBER

Avda. de las Flores, 13-15 P.E. El Molino 28970 Humanes de Madrid, Madrid (España)
Tel. (+34) 916063711 * WhatsApp pedidos: 649787619 * www.anber.es * anber@anber.es

WRENCH



Model W3

For use with Model G5 Sprinklers with wrench able cap installed.



Fully insert the Model W3 wrench over the cap until it reaches the bottom of the cup. Do not wrench any other part of the sprinkler/cup assembly. The Model W3 is designed to be turned with a standard 1/2" square drive. Tighten the sprinkler into the fitting after applying a PTFE based thread sealant to the sprinkler's threads. Recommended installation torque is specified in Table E.

TABLE E: Installation Torque

Sprinkler Threads	Recommended Installation Torque (min. – max.)
	N.m
1/2" NPT or ISO7-1R1/2	11-24

Do not exceed the maximum recommended torque. Exceeding the maximum recommended torque may cause leakage or impairment of the sprinkler. Use care when inserting or removing the wrench from the sprinkler to avoid damage to the sprinkler.

Install the cover plate by hand, pushing and then turning the cover in the clockwise direction until it is tight against the ceiling. For Model G5 QR Gasket and Model G5 SR Gasket cover plates, the gasket should be attached to the flange of the cover plate skirt only. Do not glue the gasket in place or allow the gasket to overlap both the cover plate and the flange of the skirt.

REF: SRC_122024_REV1

Reliable Model G5 series sprinkler should be inspected and the sprinkler system maintained in accordance with NFPA 25, as well as the requirements of any Authorities Having Jurisdiction.

Prior to installation, sprinklers should remain in the original cartons and packaging until used. This will minimize the potential for damage to sprinklers that could cause improper operation or non-operation.

Do not clean sprinklers with soap and water, ammonia liquid or any other cleaning fluids. Remove dust by gentle vacuuming without touching the sprinkler.

Replace any sprinkler or cover plate which has been painted (other than factory applied). Properly installed Model G5 cover plates will have an air gap that is required for proper operation, do not seal the gap or paint the cover plates. Model G5 series sprinklers have holes in the cup that must remain unobstructed.

Replace any sprinkler which has been damaged. A stock of spare sprinklers should be maintained to allow quick re-placement of damaged or operated sprinklers. Failure to properly maintain sprinklers may result in inadvertent operation or non-operation during a fire event.

ORDERING INFORMATION

Specify the following when ordering.

- **Sprinkler**
 - Model [G5-56]
 - Temperature Rating [74°C] [100°C]
 - Threads [NPT or ISO 7-1]
- **Cover Plate**
 - Model [G5, G5 QR Gasket, G5 SR Gasket]
 - Finish (See Table C)
- **Sprinkler Wrench**
 - Model W3

REF: SRC_122024_REV1

AQL PROTECCION

Carretera N-340 Km 1245, 3 Nave B-5 Polígono industrial El Pla 08750 Molins de Rei, Barcelona (España)
Tel. (+34) 936800376 * WhatsApp pedidos: 660781482 * www.aqlproteccion.com * aql@aqlproteccion.com

ANBER

Avda. de las Flores, 13-15 P.E. El Molino 28970 Humanes de Madrid, Madrid (España)
Tel. (+34) 916063711 * WhatsApp pedidos: 649787619 * www.anber.es * anber@anber.es