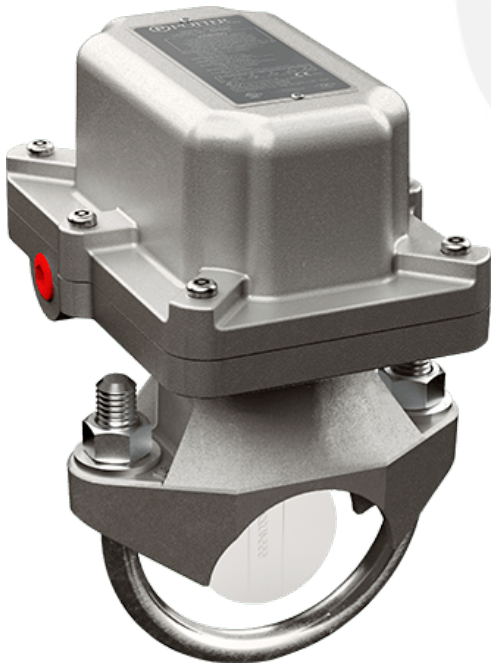


VSR - FEX EXPLOSION PROFF VANE TYPE WATERFLOW ALARM SWITCH RETARD



The Model **VSR-FEX** is a vane type waterflow switch for use on wet sprinkler systems located in hazardous locations as shown above.

The unit may also be used as a sectional waterflow detector on large systems.

The unit contains two single pole, double throw, snap action switches and an adjustable, instantly recycling pneumatic retard. The switches are actuated when a flow of 10 gallons per minute (38 Lpm) or more occurs downstream of the device. The flow condition must exist for a period of time necessary to overcome the selected retard period.

The unit is enclosed in a cast aluminum housing. The cover is held in place with six M6 x 1 mm-6g; 30 mm long socket head cap screws with a 5 mm hexagonal drive head and a property class of 8.8. These screws can only be replaced with identical ones. A field installable cover tamper switch is available as an option which may be used to indicate unauthorized removal of the cover.

FEATURES

- NEMA 4/IP66 solid metal enclosure.
- 0-90 second field replaceable retard.
- Non-corrosive saddle bushing.
- (2) 1/2" threaded conduit connections.
- Assembled in USA.



DEMKO 08 ATEX 0728480X, EN 60079-0:2012+A11:2013,
EN 60079-1:2014, EN 60079-31:2014, Ex db IIB T6;
Ex tb IIIC T85°C Db IP66

REF: SI11132_052021_REVO

AQL PROTECCION

Carretera N-340 Km 1245, 3 Nave B-5 Polígono industrial El Pla 08750 Molins de Rei, Barcelona (España) Tel.
(+34) 936800376 * WhatsApp pedidos: 660781482 * www.aqlproteccion.com * aql@aqlproteccion.com

ANBER

Avda. de las Flores, 13-15 P.E. El Molino 28970 Humanes de Madrid, Madrid (España)
Tel. (+34) 916063711 * WhatsApp pedidos: 649787619 * www.anber.es * anber@anber.es

Dimensions	See Fig. 2
Enclosure	Cover: Cast Aluminum. Base: Cast Aluminum.
Minimum Flow Rate for Alarm	38 lpm (10 gpm).
Maximum Surge	10 m/s (18 fps).
Switch Contacts	Two sets of SPDT (Form C). 15,0 Amps at 125/250 VAC. 2,0 Amps at 30 VDC Resistive.
Environmental Limitations	<ul style="list-style-type: none"> • For use in hazardous locations, Classified as: Class I: Div. 1 & Div. 2, Groups C, D. Class II: Div. 1 & Div. 2, Groups E, F, G. Class III: Div. 1 & Div. 2. • Suitable for indoor or outdoor use with factory installed gasket and cast aluminum housing. • NEMA 4/IP66 Rated Enclosure - use with appropriate conduit fitting. • Temperature: $+4,5^{\circ}\text{C} \leq T_a \leq +49^{\circ}\text{C}$ ($40^{\circ}\text{F}/120^{\circ}\text{F}$). • Non-corrosive sleeve factory installed in saddle.
Conduit Entrances	Two conduit entrances provided for 1/2" conduit with 1/2" NPT threaded connections. Use an ATEX certified plug of protection "d", "tb", and IP66 for all unused conduit openings.
Service Use	NFPA 13, 72.
Maximum System Pressure	31 bar (450 psi).

**Specifications subject to change without notice.*



CAUTION

Waterflow switches that are monitoring wet pipe sprinkler systems shall not be used as the sole initiating device to discharge AFFF, deluge, or chemical suppression systems. Waterflow switches used for this application may result in unintended discharges caused by surges, trapped air, or short retard times.

REF: SI11132_052021_REVO

AQL PROTECCION


Carretera N-340 Km 1245, 3 Nave B-5 Polígono industrial El Pla 08750 Molins de Rei, Barcelona (España)
Tel. (+34) 936800376 * WhatsApp pedidos: 660781482 * www.aqlproteccion.com * aql@aqlproteccion.com

ANBER

Avda. de las Flores, 13-15 P.E. El Molino 28970 Humanes de Madrid, Madrid (España)
Tel. (+34) 916063711 * WhatsApp pedidos: 649787619 * www.anber.es * anber@anber.es

These devices may be mounted on horizontal or vertical pipe. On horizontal pipe they should be installed on the top side of the pipe where they will be accessible. The units should not be installed within 15 cm (6") of a fitting which changes the direction of the waterflow or within 61 cm (24") of a valve or drain.

1. Drain the system and cut a hole in the pipe using a hole saw in a slow speed drill. The 2" and 2 1/2" (50 mm and 65 mm) devices require a hole with a diameter of 33 mm \pm 2 mm (1 1/4" + 1/8" - 1/16"). All other sizes require a hole with a diameter of 50 mm \pm 2 mm (2" \pm 1/8"). See chart below.
2. Clean the inside pipe of all growth or other material for a distance equal to the pipe diameter on either side of the hole.
3. Roll the vane so that it may be inserted into the hole, do not bend or crease it.
4. Insert the vane so that the arrow on the saddle points in the direction of the waterflow.
5. Install the saddle strap and tighten nuts alternately to an eventual 27 n-m (20 ft-lbs) of torque. See Fig. 1 and chart below. The vane must not rub the inside of the pipe or bind in any way.

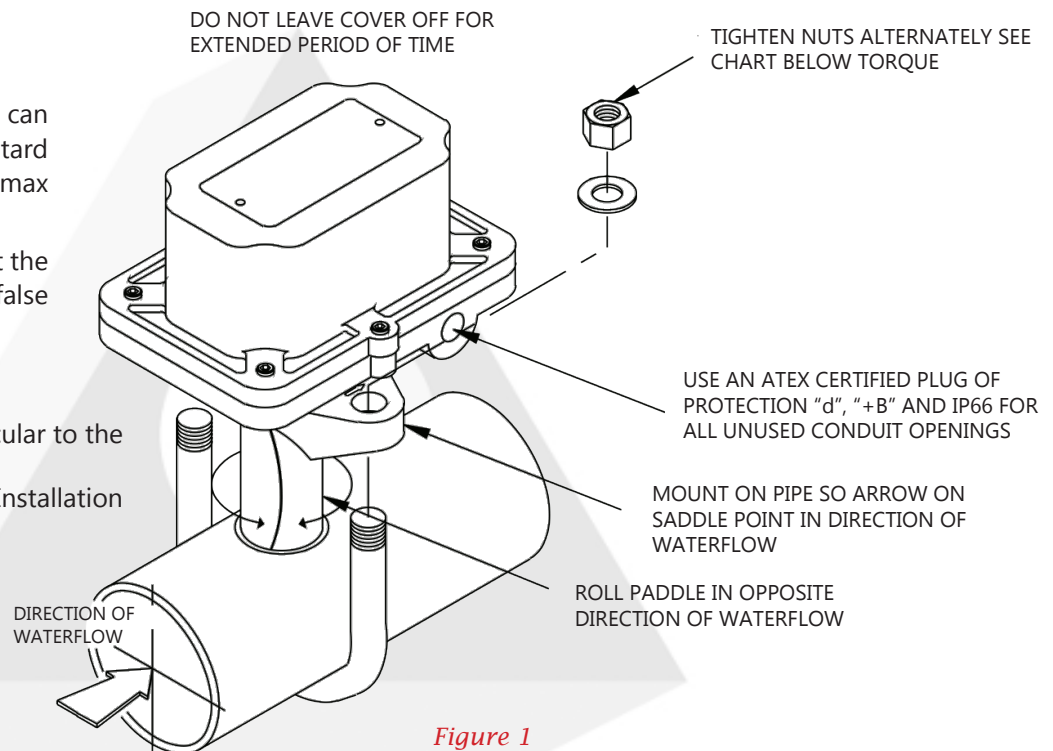
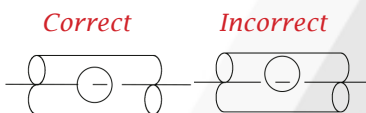


CAUTION Do not trim the paddle. Failure to follow these instructions may prevent the device from operating and will void the warranty. Do not obstruct or otherwise prevent the trip stem of the flow switch from moving when water flows as this could damage the flow switch and prevent an alarm. If an alarm is not desired, a qualified technician should disable the alarm system.

Retard Adjustment:

The time delay is factory set 30 \pm 10 seconds. The delay can be adjusted by rotating the retard adjustment knob from "O" to max setting (60-90 seconds).
The time delay should be set at the minimum required to prevent false alarms.

Hole must be drilled perpendicular to the pipe and vertically centered. Refer to the Compatible Pipe/Installation Requirements chart for size.



REF: SI11132_052021_REVO

Nominal Pipe Size		Nominal Pipe O.D.	Pipe Wall Thickness					Hole size	U-Bolt Nuts Torque
			Lightwall	Schedule 10 UL	Schedule 40 UL	BS-1387 LCP	DN VDS		n-m
2"	DN50	60,3 mm	1,651 mm	2,77 mm	3,91 mm	3,6 mm	2,3 mm	33,0 ± 2,0	27
2 1/2"	DN65	76,1 mm	-	-	-	3,6 mm	2,6 mm		
3"	DN80	88,9 mm	2,108 mm	3,05 mm	5,49 mm	4,0 mm	2,9 mm		
4"	DN100	114,3 mm	2,134 mm	3,05 mm	6,02 mm	4,5 mm	3,2 mm		
6"	DN150	168,3 mm	2,921 mm	3,40 mm	7,11 mm	5,0 mm	4,0 mm		
8"	DN200	219,1 mm	-	3,76 mm	8,18 mm	6,3 mm	4,5 mm		



WARNING

When this device is to be installed in an area that is classified as “HAZARDOUS”, the person responsible for safety in the area shall be contacted to determine if the tools and operations required for the installation of the device and associated components are permitted in the area. To reduce the risk of ignition of hazardous atmospheres, disconnect supply circuits before opening cover. Keep cover tight while circuits are live.

The mating surfaces of the cover and housing are designed and machined to meet the hazardous location requirements of the applicable listing agencies. These surfaces shall be protected from any damage and shall be clean and free of all foreign matter. No gasket or sealant of any type is allowed on these surfaces. The use of any type of gasket, sealant, or damage to these surfaces will void the hazardous rating of the device and can lead to explosion and death. These surfaces are not repairable and the cover is not replaceable. If any damage has occurred to either surface or a gasket or sealant has been applied to either surface, the entire device must be immediately removed from service and replaced. All foreign matter must be removed. If mating surfaces are damaged, do not place the device in service.

Important: When reinstalling the cover during installation or maintenance, wipe the mating cover and housing surfaces with a soft clean lint free cloth. Carefully inspect the surfaces for any damage or foreign matter. Install the cover on the housing to fully seat the mating surfaces. Initially tighten each of the (6) cover screws evenly to 5 in-lbs (.56 n-m) to ensure that the cover is fully seated. Next, torque each cover screw to a final torque of 20 in-lbs (2.3 n-m). Failure to follow these instructions may result in injury or death.

REF: SI11132_052021_REVO

AQL PROTECCION

Carretera N-340 Km 1245, 3 Nave B-5 Polígono industrial El Pla 08750 Molins de Rei, Barcelona (España)
Tel. (+34) 936800376 * WhatsApp pedidos: 660781482 * www.aqlproteccion.com * aql@aqlproteccion.com

ANBER

Avda. de las Flores, 13-15 P.E. El Molino 28970 Humanes de Madrid, Madrid (España)
Tel. (+34) 916063711 * WhatsApp pedidos: 649787619 * www.anber.es * anber@anber.es

Figure 2 - Mounting Dimensions

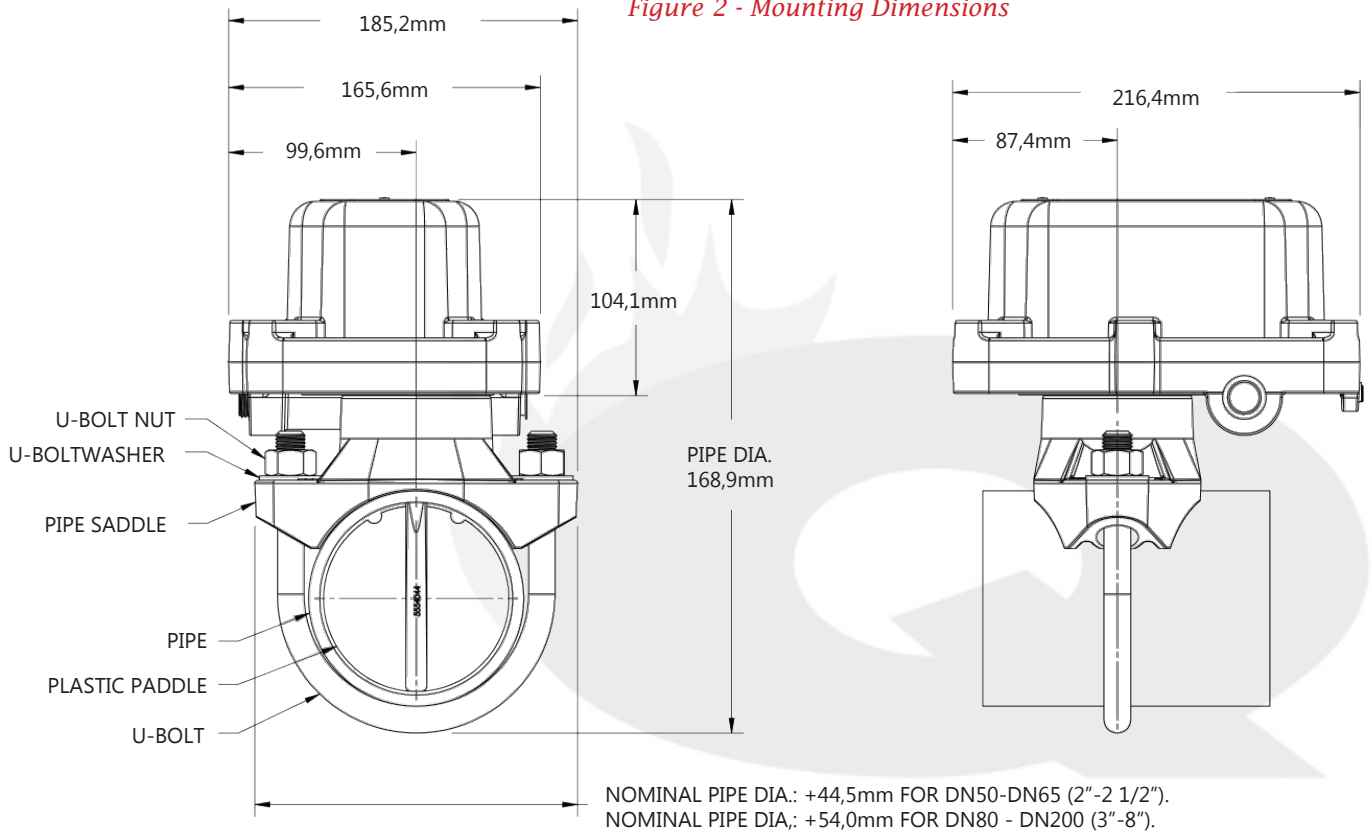
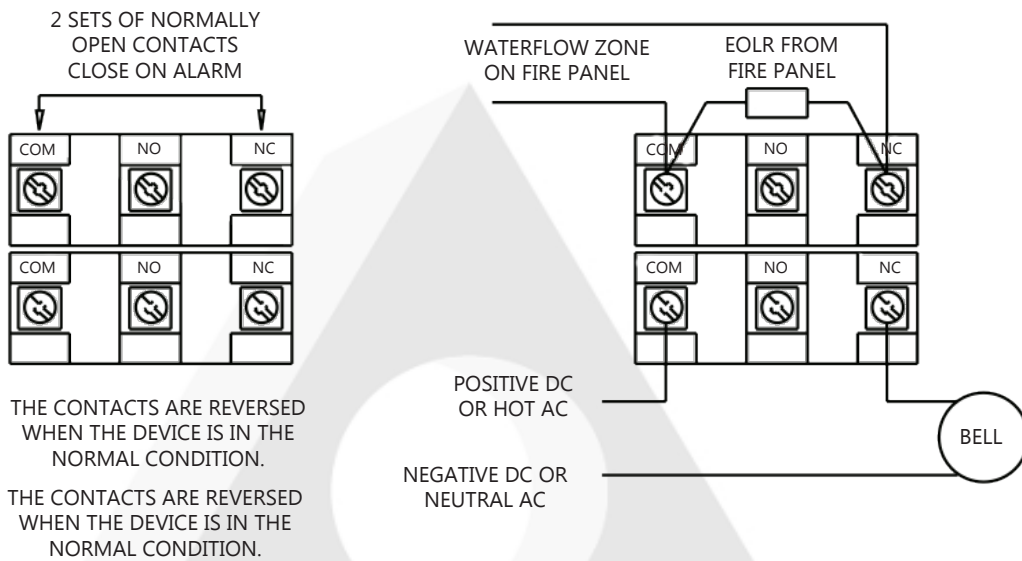


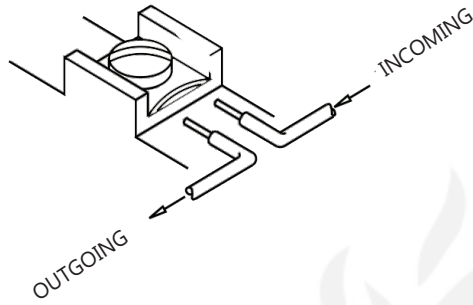
Figure 3 - Typical Electrical Connections



Notes:

1. The Model VSR-FEX has two switches, one can be used to operate a central station, proprietary or remote signaling unit, while the other contact is used to operate a local audible or visual annunciator.
2. For supervised circuits see "Switch Clamping Plate Terminal" drawing and caution note (Fig. 4).

Figure 4 - Switch Clamping Plate Terminal



WARNING

An uninsulated section of a single conductor should not be looped around the terminal and serve as two separate connections. The wire must be severed, thereby providing supervision of the connection in the event that the wire becomes dislodged from under the terminal.

TESTING

The frequency of testing for the model VSR-FEX and its associated protective monitoring system should be in accordance with applicable NFPA Standards and/or the authority having jurisdiction (manufacturer recommends quarterly or more frequently).

If provided, the inspector's test valve, that is usually located at the end of the most remote branch line, should always be used for test purposes. If there are no provisions for testing the operation of the flow detection device on the system, application of the VSR-FEX is not recommended or advisable.

A minimum flow of 38 lpm (10 gpm) is required to activate this device.

NOTICE: Please advise the person responsible for testing of the fire protection system that this system must be tested in accordance with the testing instructions.

REF: SI11132_052021_REVO

AQL PROTECCION

Carretera N-340 Km 1245, 3 Nave B-5 Polígono industrial El Pla 08750 Molins de Rei, Barcelona (España)
Tel. (+34) 936800376 * WhatsApp pedidos: 660781482 * www.aqlproteccion.com * aql@aqlproteccion.com

ANBER

Avda. de las Flores, 13-15 P.E. El Molino 28970 Humanes de Madrid, Madrid (España)
Tel. (+34) 916063711 * WhatsApp pedidos: 649787619 * www.anber.es * anber@anber.es

ENGINEER/ARCHITECT SPECIFICATIONS VANE TYPE WATERFLOW SWITCH

The Model VSR-FEX is a vane type waterflow switch for use on wet sprinkler systems located in hazardous locations. The unit may also be used as a sectional waterflow detector on large systems.

The unit contains two single pole, double throw, snap action switches and an adjustable, instantly recycling pneumatic retard. The switches are actuated when a flow of 10 gallons per minute (38 Lpm) or more occurs downstream of the device. The flow condition must exist for a period of time necessary to overcome the selected retard period.



WARNING

· Installation must be performed by qualified personnel and in accordance with all national and local codes and ordinances.

· Shock hazard. Disconnect power source before servicing.

Serious injury or death could result.

· Read all instructions carefully and understand them before starting installation. Save instructions for future use. Failure to read and understand instructions could result in improper operation of device resulting in serious injury or death.

· Risk of explosion. Not for use in hazardous locations. Serious injury or death could result.



CAUTION

· Failure to install properly could damage the switch and cause improper operation resulting in damage to equipment and property.

· To seal threads, apply Teflon tape to male threads only. Using joint compounds or cement can obstruct the pressure port inlet and result in improper device operation and damage to equipment.

· Do not over tighten the device, standard piping practices apply.

ORDERING INFORMATION

Nominal Pipe Size		Model
2"	DN50	VSR-FEX 2"
2 1/2"	DN65	VSR-FEX 2,5"
3"	DN80	VSR-FEX 3"
4"	DN100	VSR-FEX 4"
6"	DN150	VSR-FEX 6"
8"	DN200	VSR-FEX 8"

Description
Hex Key-5mm
Cover Tamper Switch Kit for VSR-FEX

REF: SI11132_052021_REVO

AQL PROTECCION

Carretera N-340 Km 1245, 3 Nave B-5 Polígono industrial El Pla 08750 Molins de Rei, Barcelona (España) Tel. (+34) 936800376 * WhatsApp pedidos: 660781482 * www.aqlproteccion.com * aql@aqlproteccion.com

ANBER

Avda. de las Flores, 13-15 P.E. El Molino 28970 Humanes de Madrid, Madrid (España)
Tel. (+34) 916063711 * WhatsApp pedidos: 649787619 * www.anber.es * anber@anber.es